



TURN-KEY SOLUTIONS

Triple/S Dynamics Equipment Design Assistance
Creative Engineering for Over 120 Years

You know you need a conveyor, but do you know Triple/S Dynamics provides turn-key equipment design services? You can contain costs and save time by having Triple/S Dynamics interface your new conveyor with your current systems.

FEATURES

- Complete systems engineering
- Cost containment
- Fully integrated controls
- Systems for USDA/3A applications available

BENEFITS OF A TRIPLE/S DYNAMICS SYSTEM

- Reduced product degradation, segregation and fines generation
- Improved sanitation
- Fewer moving parts means near zero maintenance
- Heavy-duty construction
- Fewer system components
- More system flexibility

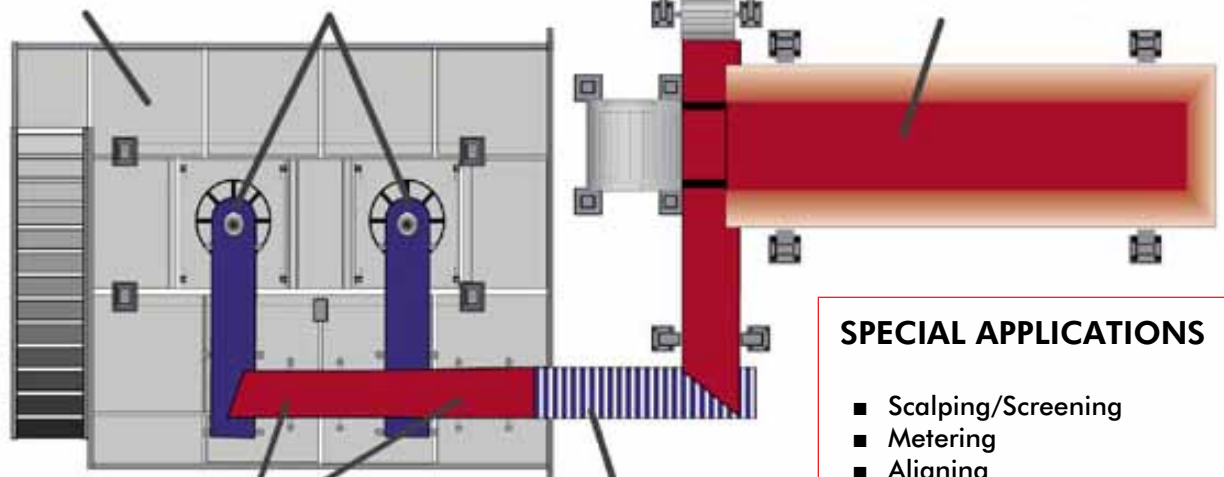
PLATFORM DESIGN & CONSTRUCTION

SCALE FEED CONVEYORS

- Slipstick® Horizontal Motion

ACCUMULATION SYSTEMS

- Slipstick Dynamic Storage Units
- Live Bottom Belt Storage



DISTRIBUTION CONVEYORS

- Single Pass Systems
- Slipstick Return Loop Systems

BELT CONVEYORS

- Flighted incline
- Scooped cleat
- Flat top
- Troughing

SPECIAL APPLICATIONS

- Scalping/Screening
- Metering
- Aligning
- Metal detection
- Washing/rinsing
- Length grading
- Bias feed